

## Welcome!

We greatly appreciate your purchase of your TNP355C Series Tilt 'N Plug. We are sure you will find it reliable and simple to use. We are committed to providing Signal Management Solutions® to our customers for the most demanding audiovisual installations at competitive pricing and we welcome you to join the ranks of our many satisfied customers throughout the world.

## 1. Precautions and Safety Warnings

Please read this manual carefully before using your Tilt 'N Plug Interconnect Box. Keep this manual handy for future reference. These safety instructions are to ensure the long life of your Tilt 'N Plug and to prevent fire and shock hazards. Please read them carefully and heed all warnings.

### 1.1 General

- Unauthorized personnel shall not open the unit as there are high-voltage components inside. Only qualified Altinex service personnel or their authorized representatives must perform all service.

### 1.2 Installation Precautions

- For best results, place the Tilt 'N Plug in a dry area away from dust.

## 2. Installation Procedures

- Step 1 Cut an opening into the table's surface. Refer to the ALTINEX website at <http://www.altinex.com/> for table cutout requirements.  
**NOTE:** The table can be 2.25 in (57 mm) or less in thickness. Always confirm dimensions before cutting to insure that specifications have not changed.
- Step 2 Insert the TNP355C into the table cutout.
- Step 3 Place the support brackets under the table and place them between the support mount grooves on the side of the unit. Attach the brackets to the groove at the desired height and secure them to the bottom of the table using the knurled table securing screws provided with the additional wing nuts for added tightening.
- Step 4 To lower the unit, push on the top cover until it locks into place.
- Step 5 Secure power cable to the underside of the table using the cable clamps and screws included with the TNP. Pass the power cord from the bottom of the housing and attach it to the table separate from the signal cables. Leave enough slack in the service loop to allow for easy opening and closing, but not too much as to cause excess drooping of the service loop.
- Step 6 Once you have applied power on the bottom of the unit you may raise the unit. To raise the unit into position, push down on the front of the top cover; the latching mechanism will then release, allowing the pneumatic spring to raise it into position.

**NOTE:** It may be necessary to adjust the service loop of the cable for optimal performance.

## 3. Limited Warranty/Return Policies

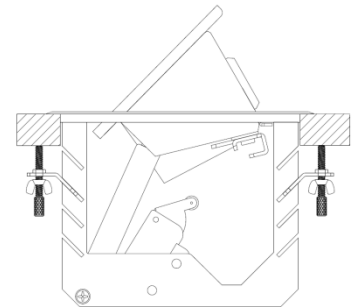
Please see the ALTINEX website at [www.altinex.com](http://www.altinex.com) for details on warranty and return policies.

To prevent fire or shock, do not expose this unit to water or moisture. Do not place the unit in direct sunlight, near heaters or heat-radiating appliances, or near any liquid. Exposure to direct sunlight, smoke, or steam can harm internal components.

- Handle carefully; dropping or jarring can damage the bezel.
- Never place fingers inside the opening on either side of the unit. This action could cause injury due to sharp edges inside.
- Do not place heavy objects on top of the Tilt 'N Plug. Do not use excessive force to push down on the top of the unit.
- Disconnect the power cord to turn off the power. This supplies power to the socket on the pop-up panel. The power outlet should be installed near the equipment and be easily accessible.
- Install all cables according to the instructions found herein. Do not force or pull any cable that is attached to the Tilt 'N Plug.

### 1.3 Cleaning

- Surfaces should be cleaned with a dry cloth. Never use strong detergents or solvents such as alcohol or thinner.



4. Technical Specification

Specifications are subject to change. Please visit <http://www.altinex.com> for up-to-date specification

Features/Description	
<b>TNP355C</b>	
<b>Pass-Through AC Power</b>	<b>9ft. (3.0 m)</b>
<b>125 VAC, 60 Hz, 12A</b>	NEMA Socket-Plug (2)
<b>Internal USB circuit</b>	USB 2.0 type A female (2)
<b>Agency Approval</b>	
<b>UL/C-UL Listed</b>	File E254082
<b>Accessories Included</b>	
<b>Hardware</b>	Mounting screws/brackets Cable clamps/screws

Table 1 TNP355 General Specifications

Mechanical	
Max. Table Thickness	2.25 in (57 mm)
Height, opened	5.88 in (149 mm)
Width	5.7 in (145 mm)
Depth	5.2 in (132 mm)
Custom Finish	Polished Chrome
Weight (approx.)	2.75 lb. (1.25 kg)
Shipping Weight	5.5 lb. (2.5 kg)
T° Operating	10°C - 35°C
T° Maximum	40°C
Humidity	90% non-condensing

Table 2 TNP355 Mechanical Specifications

Electrical (Dual Outlet Panel)	TNP355C
Power Rating (pass-through AC power)	120VAC, 60Hz, 12A
Power Rating (USB 2.0 charging port)	5VDC, 3A total

Table 3 TNP355 Electrical Specifications

### 5. The TNP355C Interconnect Box

- Tamper resistant dual AC plugs
- Dual built in circuitry for USB ports
- Ultra flat surface when closed
- Custom chrome bezel and top cover
- Simple, drop-in installation

The TNP355C is a compact interconnect solution designed for mounting into tables, podiums, or other furniture as part of a presentation system. Power and USB are accessed by pushing down on the top cover allowing the unit to tilt open.

The power and USB sockets are hidden by pressing down on the top cover until the latching mechanism engages. In the closed position, the top cover lays almost flush with the tabletop. This tabletop solution offers dual 12 Amps AC sockets along with 2 USB ports that can deliver up to 3A of charging power indicated by a green LED light.

The tabletop solution was specially designed for use with USB compatible devices. The power cable is split to deliver power to both outlets on the tabletop from one AC plug. The TNP355C is one of many solutions available in the TNP Jr product line that can be customized with many different connectivity options.

6. Application Diagrams

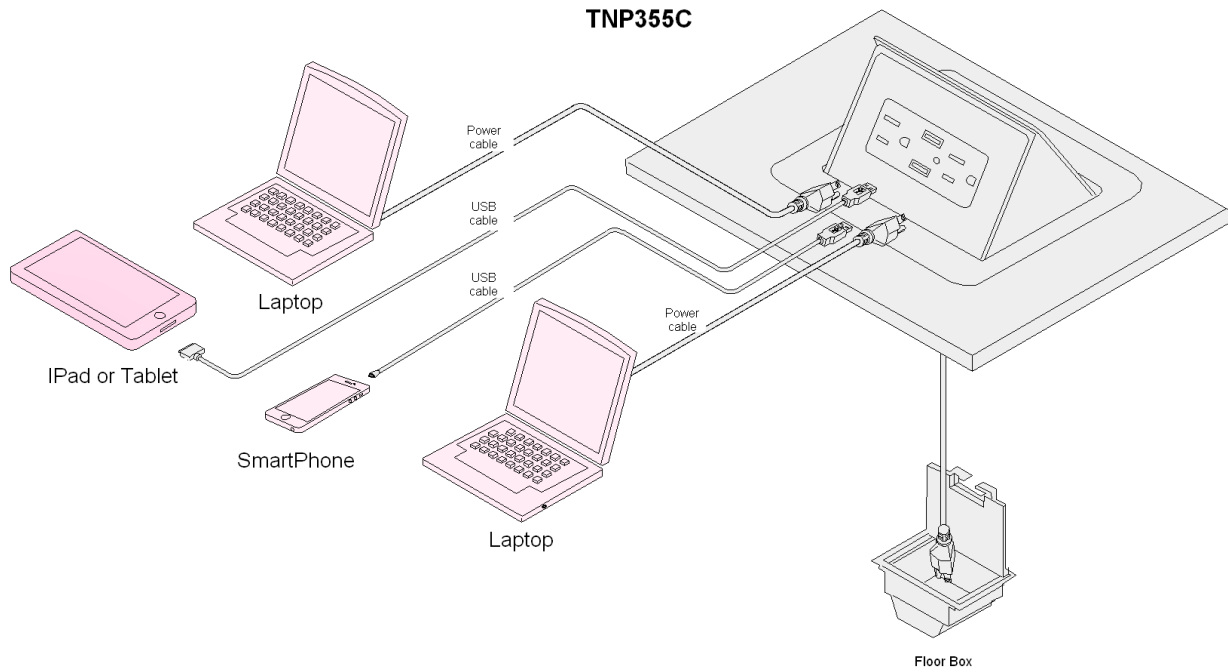


Diagram 1: Typical Setup and use of a TNP355C

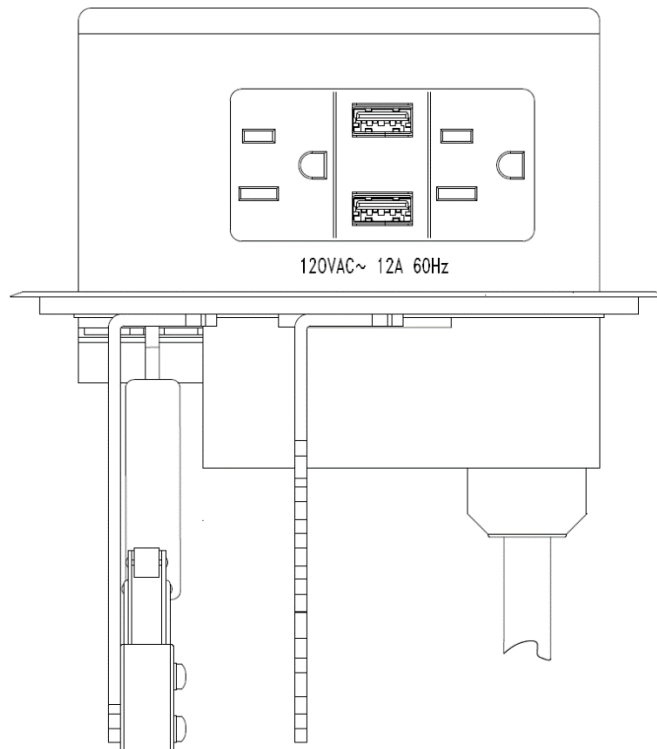


Diagram 2: Front View

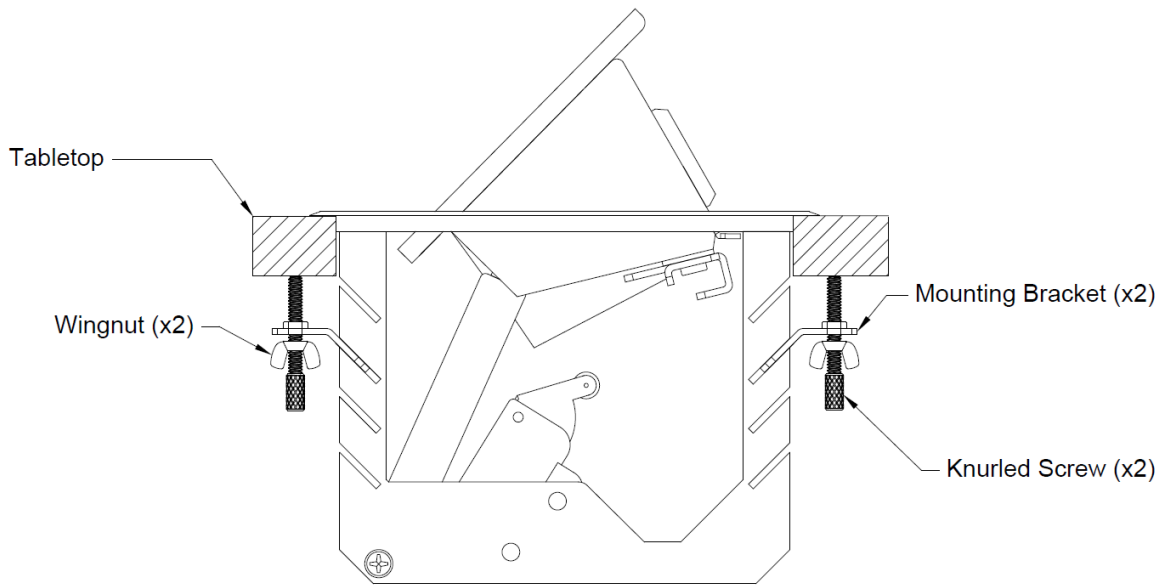


Diagram 3: Mounting the TNP355C

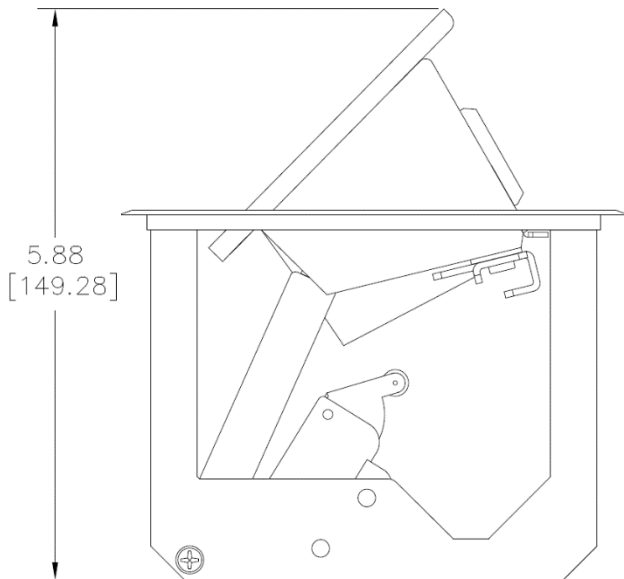


Diagram 4: Side Dimensions

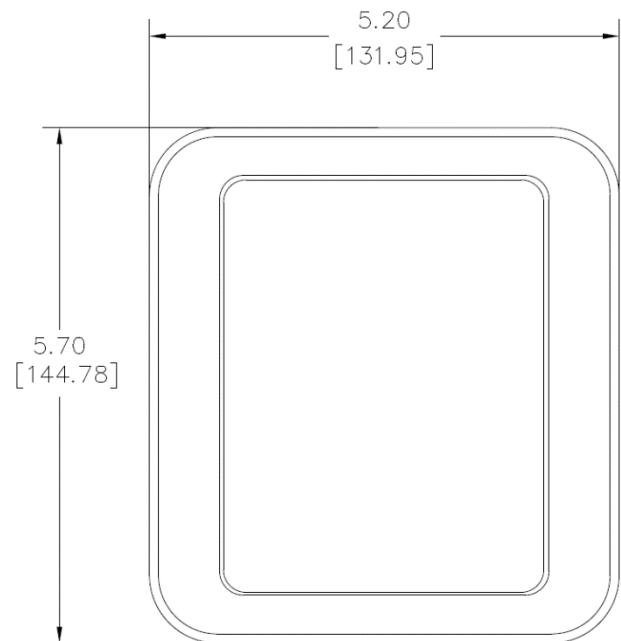


Diagram 5: Top Bezel Dimensions

**7. Operation**

**7.1 Opening and Closing the Tilt 'N Plug**

The Tilt 'N Plug will open easily when the top is pressed down and then released.

When the Tilt 'N Plug is not in use, simply press the top down until it is level with the surface of the table and then release. The unit will remain hidden until needed again.

**7.2 Power/Signal Connections**

Connect external devices to the appropriate connector on the Tilt 'N Plug. Remember, the devices plugged into the AC power connectors should not draw more than 12A.

**8. Troubleshooting Guide**

The Tilt 'N Plug supplied was carefully tested and no problems were detected. However, we would like to offer the following suggestions:

TNP	
Symptom	Resolution
USB ports are not charging	<ol style="list-style-type: none"> <li>1. Make sure that the power cord is connected.</li> <li>2. Make sure the USB LED indicator is on</li> </ol>
Damaged power cord	<ol style="list-style-type: none"> <li>1. Make sure that no cable or power cord is damaged or pinched.</li> <li>2. If there has been damage, do not use the Tilt 'N Plug. Please call the ALTINEX Customer Service Department at (714) 990-2300 to have the unit repaired.</li> </ol>
Unit raises too slowly	<ol style="list-style-type: none"> <li>1. If the unit does not rise into position correctly, check the service loops for the signal and power cords on the bottom of the unit. If the service loop is too small the cables will counteract the spring trying to raise the unit into position.</li> </ol>
Unit tilts up too fast	<ol style="list-style-type: none"> <li>1. If the unit rises into position too fast, check the service loops for the signal and power cords on the bottom of the unit. If the service loop is too large and the cables are putting upward pressure on the unit, the unit will tilt up too fast.</li> </ol>
Unit does not close all the way	<ol style="list-style-type: none"> <li>1. If the unit does not close flush with the bezel, check the service loops for the signal and power cords on the bottom of the unit. If the service loop is putting upward pressure in the unit, the unit will not be able to seat all the way down.</li> </ol>