



PM4FA

Pendant Mount Speaker System



PM4FA-B

Features

- 4" FA134 driver provides 130° (65° off-axis) coverage in the 2 kHz octave band
- 70.7V taps @ 1, 2, 4, 8, & 16 Watts plus 8 Ω direct input via concealed terminal block
- Discrete, attractive enclosure

Technical Specifications

Power Rating:	25 Watts @ 8 Ω
70.7 Taps:	1, 2, 4, 8, & 16
Frequency Response:	70 Hz – 20 kHz (±5 dB)
Sensitivity (1 W/1 M):	88 dB Average
Dispersion Angle:	90°
Woofer Mag. Wt.:	10 oz. (311 g)
Woofer:	4" Poly Cone Butyl Rubber Surround
HF Driver:	Coaxially Mounted PEI Dome Tweeter
Enclosure Dimensions:	Diameter - 9.25" (235 mm) Overall Height - 13.87" (352 mm)
Enclosure Volume:	478 In ³ (7,833 cm ³)
Weight:	13 lbs (5.89 kg)

Applications

The Atlas Sound PM4FA features the familiar response and dispersion of Atlas Sound's model FA134 high performance 4" Strategy Series driver. This loudspeaker is the same FA Series device used in Atlas Sound's successful model FAP42T ceiling speaker package. Mounted down-firing in an attractive enclosure, the PM4FA provides natural sounding, wide coverage for low height installations while retaining impressive full range frequency response for both music and paging applications.

Attaching a PM4FA to most over head surfaces is a breeze. For open beam ceilings a 3 meter cable kit is included with a self gripping ferrule system. If down pipe installation from hard ceiling material is required, any ¾" ceiling fan installation kit may be utilized. These kits are readily available under the FANTEC™ brand from home improvement stores with various down pipe length options to provide installation ease regardless of ceiling angle (Up to 45°).

Either installation solution is discreetly implemented via the PM series innovative top cover design concealment cap. This "cap" includes a cable access plug that is easily removed for down pipe mounting. The cover also completely conceals the speaker cable terminations and the suspension anchor points.

Several packages are offered to suit various coverage pattern and installation scenarios. For low ceilings, Atlas Sound offers a discrete enclosure system containing an ultra wide coverage 4" FA series driver. For higher ceiling applications, Atlas Sound PM series answers the need for a variety of budget and performance requirements with three different 8" driver options, factory assembled into in a larger yet still attractive pendant style enclosure.

Available in black or white enclosure finish.



**PM4FA-B
Hanging**

Architect & Engineer Specifications

The loudspeaker system shall include a high performance 4.0 inch coaxial loudspeaker in a ported bass reflex enclosure and press-fit aluminum grille for conventional ceiling installation via cable or down tube mounting system.

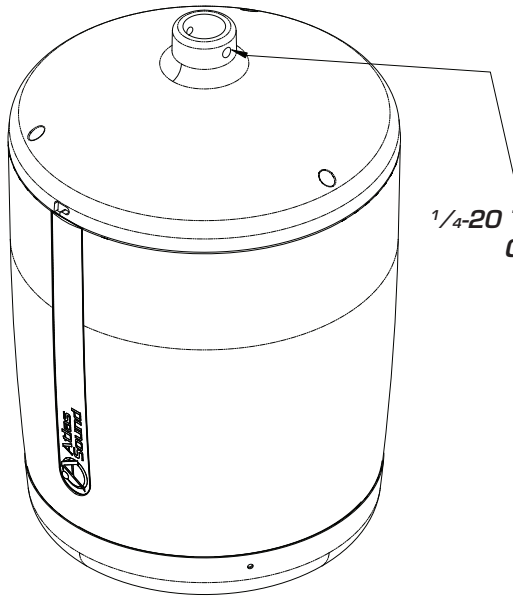
Frequency response for the system shall be 70 Hz – 20 kHz (± 5 dB). Sensitivity shall be 88 dB average. Magnet shall be a minimum of 10 oz. (264 g) and the voice coil diameter shall be 1" (25 mm).

Transformer shall be (70.7V/100V) volt type with 1, 2, 4, 8, & 16 Watts primary taps (@ 70.7V) and a transformer bypass position for 8 Ω direct coupled operation on an integrated 8 position terminal block .

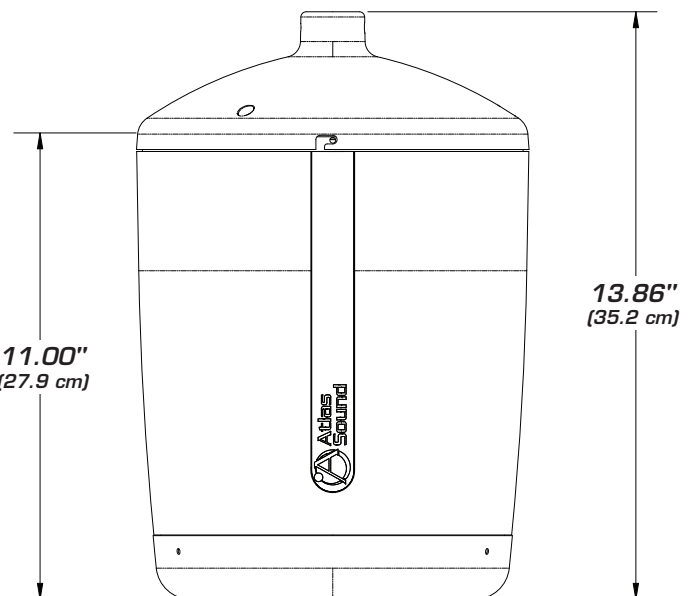
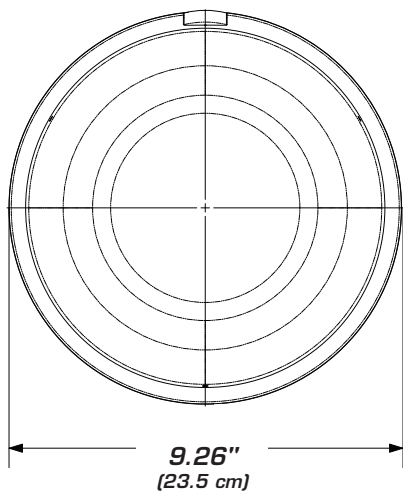
The loudspeaker shall be the Atlas Sound PM4FA (-W or-B).

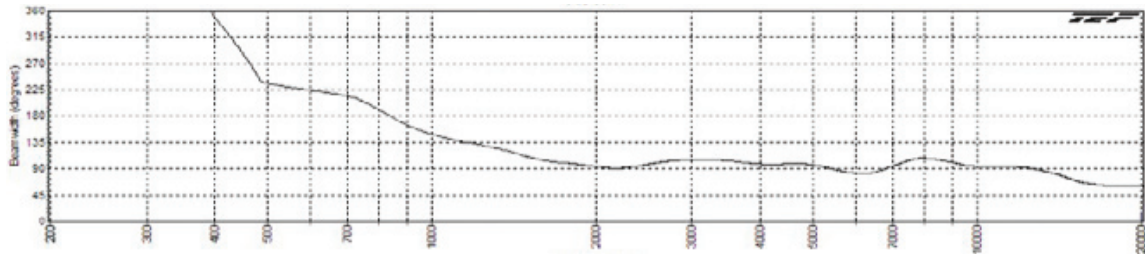


Tap Selection Terminal

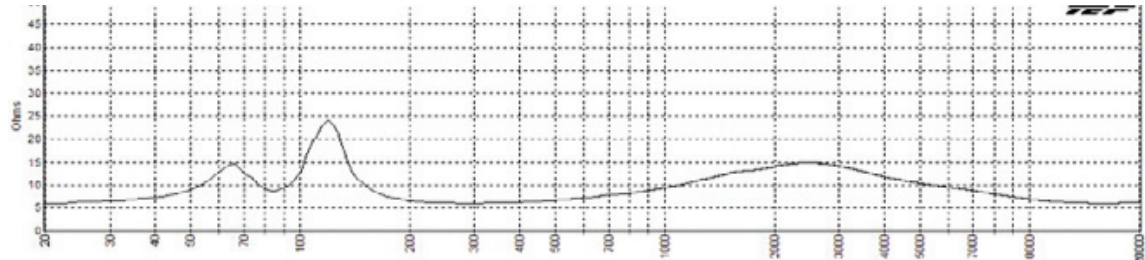


1/4-20 Thread Hole for Securing Conduit Installation

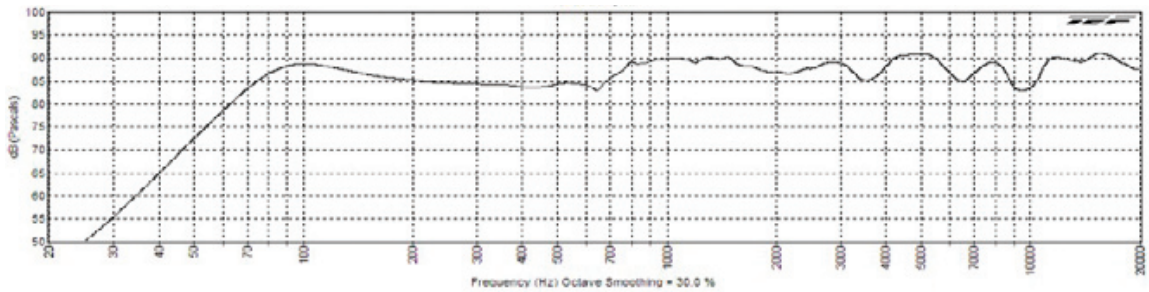




PM4FA Beamwidth



PM4FA Impedance



PM4FA Frequency Response



PM4FA Polar Charts