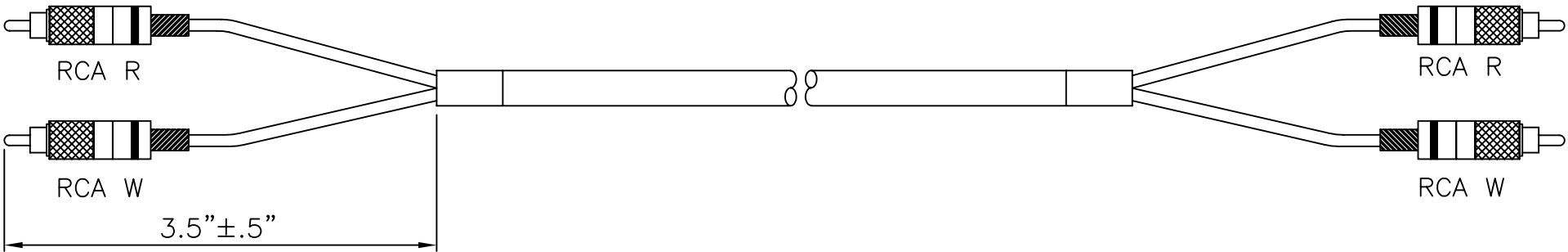


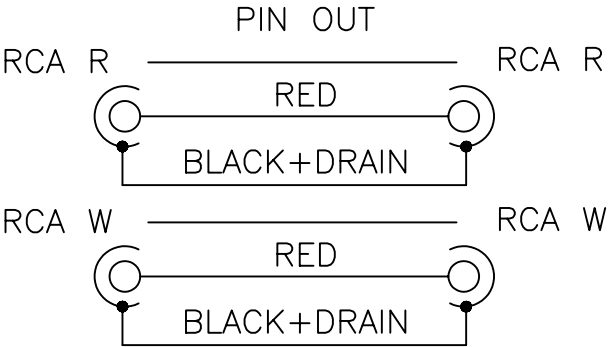
REV	DESCRIPTION	DATE
A	ISSUE	03/08/05



NOTE:

Bulk Cable body specification
 22-2P-TC-INDSH
 22 AWG 7/30 Shield Plenum
 (UL) rated CL3P,CMP
 C(UL) rated CMP,FT6
 DCR: 14.8 Ω per 1000 feet
 Capacitance (Conductor): 42 pF per foot
 Capacitance (Shield): 75 pF per foot
 Voltage: 300 Volts RMS
 Temperature: -6°C to 75°C

XXX - Available in Different Length



<i>Liberty Wire and Cable</i>			
	UNIT: mm	TITLE Plenum RCA Duplex	
SCALE	NONE		
<small>UNLESS OTHERWISE SPECIFIED TOLERANCES:</small> x ± x xx ± xx xxx ± xxx ANGLE ± ___		P/N: P222P-2RCAM-M-XXX	DR. DK
REV. A	SHEET 1/1	DWG.NO:	CH. RP
			AP. RP