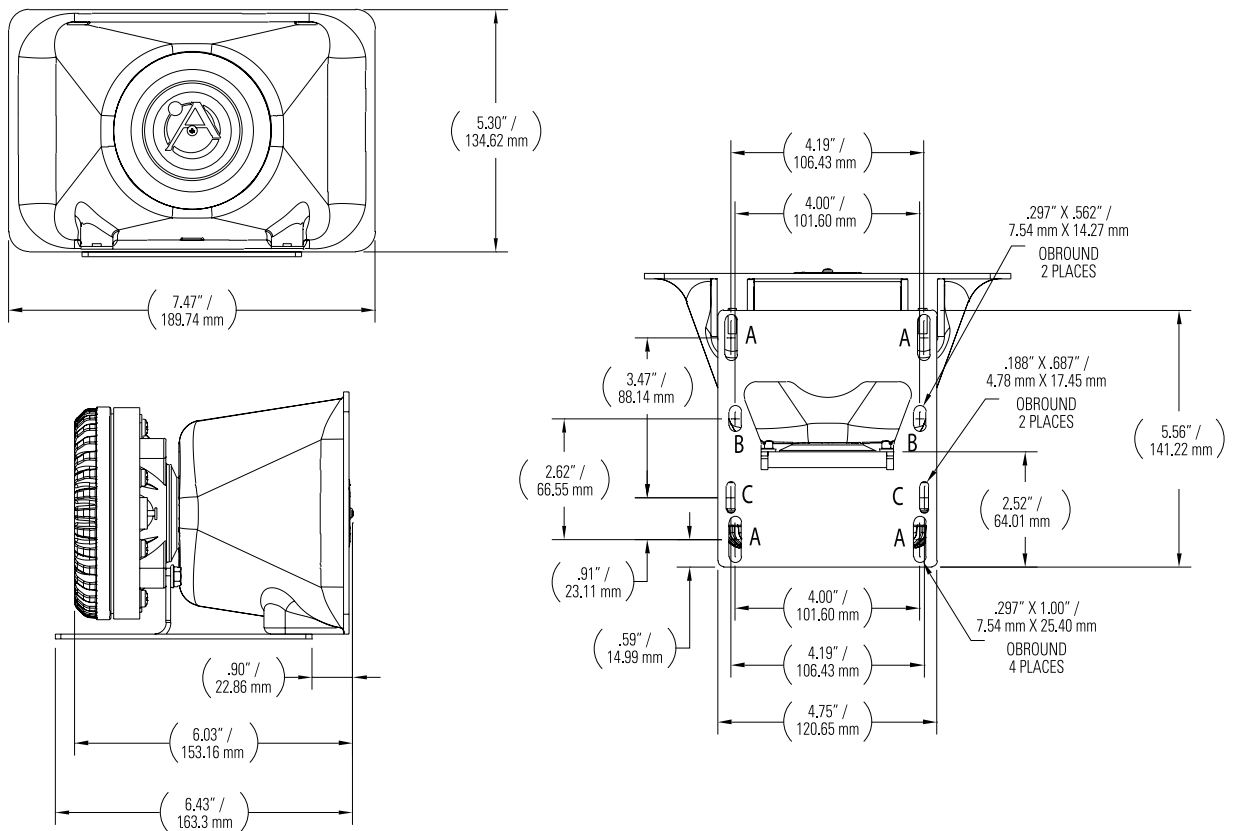




The HPG-100N Siren Loudspeaker is utilized for high-powered transmission of electronic siren and voice communications in vehicular applications. It is suitable for installation within light bars, engine compartments, or for mounting in front of the radiator or on the bumper of any ambulance, law enforcement, fire, utility, or other public service vehicle. It is rated at 100 watts RMS in electronic siren use and will provide a sound level output of 120 dB (measured on appropriate electronic siren). It is furnished with a one piece, steel mounting bracket and has a field-replaceable driver-head assembly. Field terminations are via 20" (508 mm) 18-gauge, color-coded wire leads. Lead color is RED and BLACK. The RED lead is connected to the #2 positive driver terminal. (Replacement head assembly, Model K-100N, is available for field replacement of Model AS100N).



| MODEL | POWER RATING | IMPEDANCE | FREQ. RESPONSE | DISPERSION |
|----------|------------------|-----------------|------------------------------------|---------------------------------|
| HPG-100N | 100 watts RMS | 11 Ω Nominal | 575 Hz - 3500 Hz ± 5 dB Nominal | 80° x 105° 1 kHz Octave Band |

Note: The weep hole located in the front of the driver must be positioned at 6:00 when installed.

Specifications are subject to change without notice



www.AtlasSound.com

1601 JACK MCKAY BOULEVARD ENNIS, TEXAS U.S.A. • TELEPHONE: (800) 876-3333 • FAX: (800) 765-3435

© 2008 ATLAS SOUND LP

Printed in U.S.A.

ATS003045 RevA 1/08

21A9153