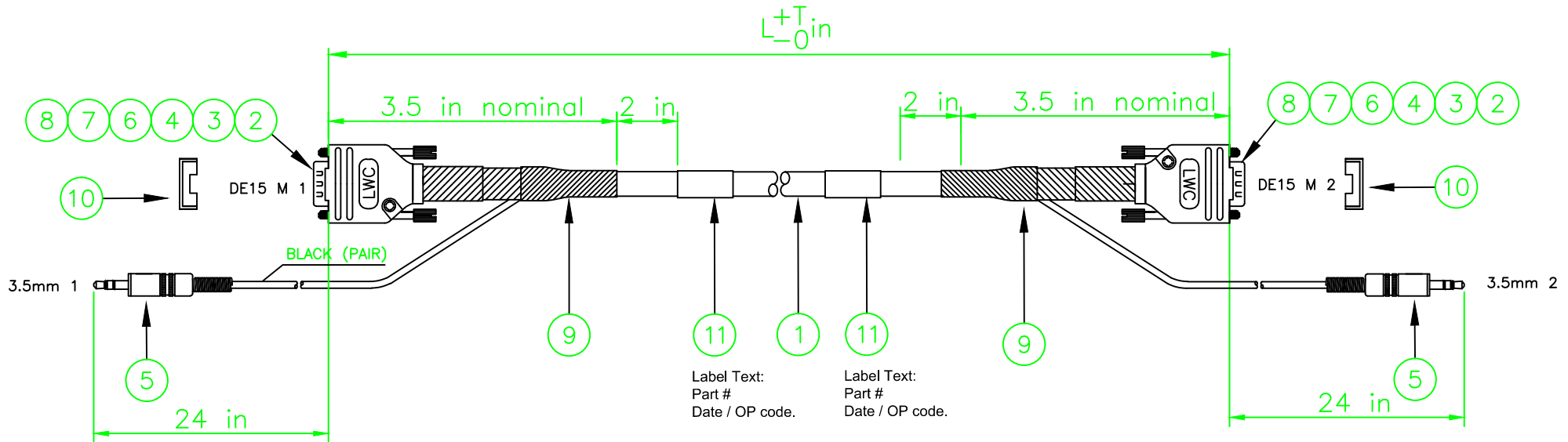


REV	DESCRIPTION	DATE
0	ISSUE	10/23/06



Standard Lengths shown,
other lengths available

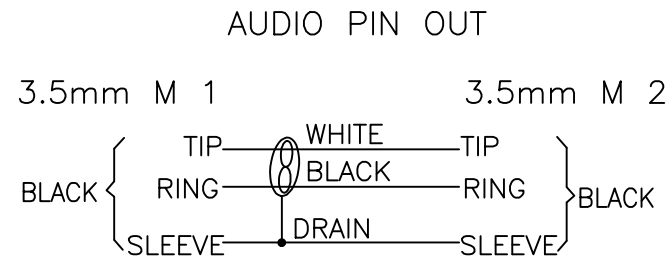
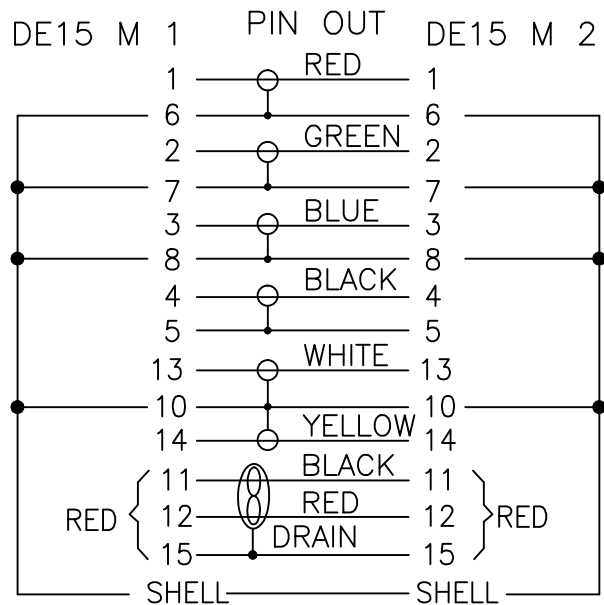
LIBERTY AV SOLUTIONS
11675 RIDGELINE DRIVE
COLORADO SPRINGS, CO 80921

WWW.LIBAV.COM
(800) 530-8998

G-VGAMAM-M-100	1200	6
G-VGAMAM-M-75	900	6
G-VGAMAM-M-50	600	6
G-VGAMAM-M-35	420	4
G-VGAMAM-M-25	300	3
P/N.	L(in)	T(in)

UNIT: mm	TITLE:	DR.
SCALE: None	Assembly Specification CBL, ASY, VGA, PLN	RP
UNLESS OTHERWISE SPECIFIED TOLERANCES: x ±.015 xx ±.010 xxx ±.005 ANGLE ± 1°	PART NUMBER: G-VGAMAM-M-XXX	CH. RP
SHEET 1/2	DWG. #: LWC-ASY-00018	AP. RP

REV	DESCRIPTION	DATE
0	ISSUE	10/23/06



Manufacturing Bill of Materials

11	LAT-19-361-1	2	EA	Label, Self-Laminating
10	VGA DUST CAP	2	EA	DE09/15 DUST CAP
9	EPS-200-1/2BLK	10	IN	Heat Shrink, 1/2" 2:1 ADH BLK
8	FP-301-1/16BLK	5.5	IN	Heat Shrink, 1/16" 2:1 BLK
7	FP-301-3/32BLK	3.5	IN	Heat Shrink, 3/32" 2:1 BLK
6	130-142	3.3	IN	Copper RF Tape
5	30-484	2	EA	3.5mm TRS Plug, Nickel
4	JUMPER WIRE	2	EA	24 AWG Copper wire 1"
3	MHDTZK9K	2	EA	DE09 Hood, Metal
2	PPEDHS-15P	2	EA	DE15 Plug, Nickel
1	RGB6C/22-2P-PLN	***	IN	BULK Cable, ProjectorNet CMP
Item	P/N	QTY	UOM	DESCRIPTION

LIBERTY AV SOLUTIONS
 11675 RIDGELINE DRIVE
 COLORADO SPRINGS, CO 80921

WWW.LIBAV.COM
 (800) 530-8998

UNIT:mm	TITLE:
SCALE	None
UNLESS OTHERWISE SPECIFIED TOLERANCES: x ±.015 xx ±.010 xxx ±.005 ANGLE ± 1°	
PART NUMBER:	DR. RP
G-VGAMAM-M-XXX	CH. RP
SHEET 2/2	DWG. #: LWC-ASY-00018
	AP. RP