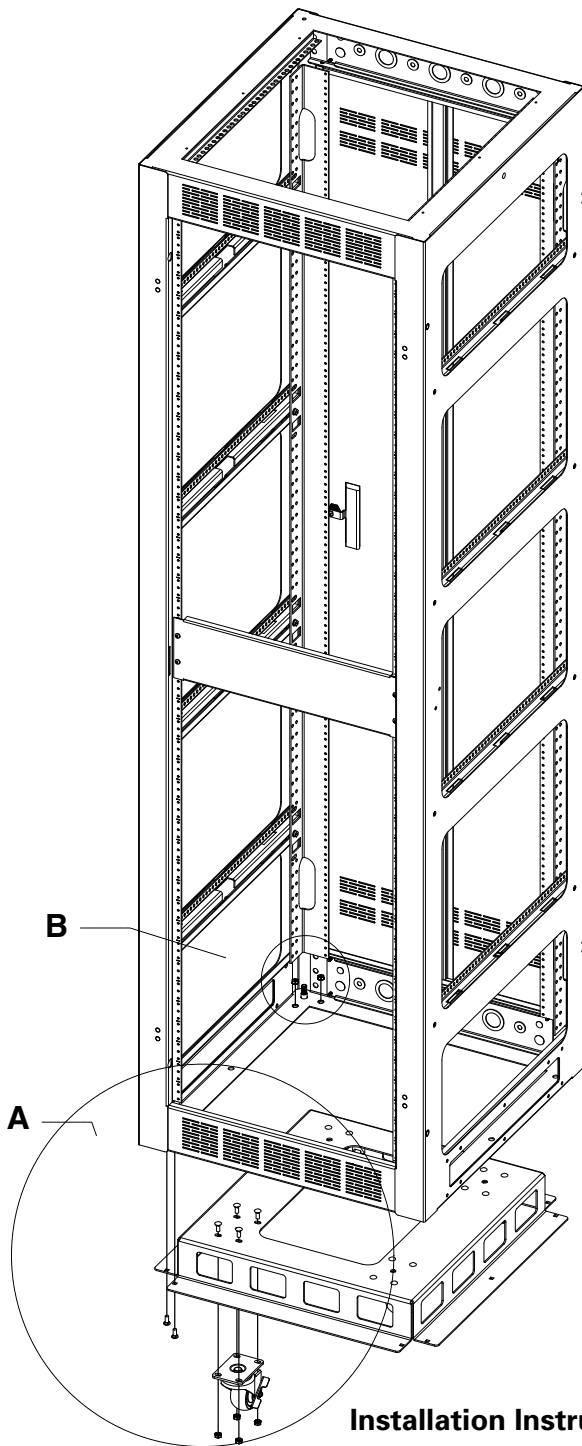


FMARTK

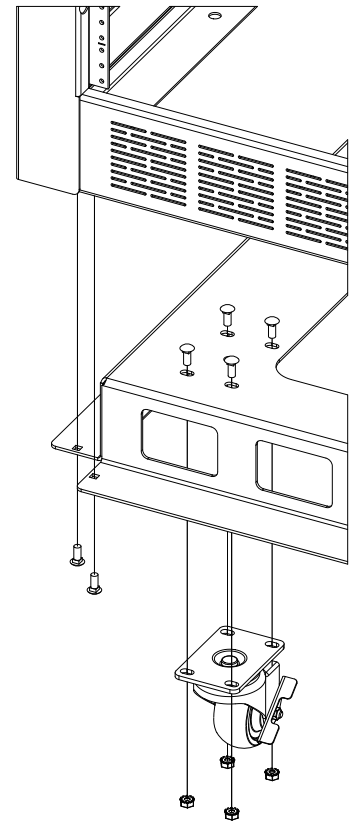
Caster Tray Kit for FMA Series Cabinets

©2012 Atlas Sound L.P. All rights reserved. Atlas Sound is a trademark of Atlas Sound L.P. All other trademarks are the property of their respective owners. All specs are subject to change without notice. ATS004356 RevA 5/12

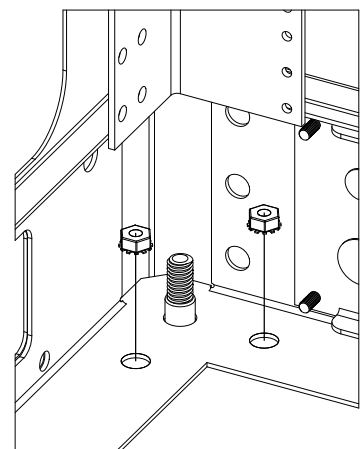


Installation Instructions

1. Attach the (four) casters to the tray (as shown in detail A) using supplied 1/4-20 bolts and nuts.
2. Use the remaining (ten) 1/4-20 bolts and nuts to attach the tray to the cabinet (as shown in detail A and B).



Detail A
Scale 1:6



Detail B
Scale 1:3