



Scan for full manual

## FC-70R Quick Start Guide

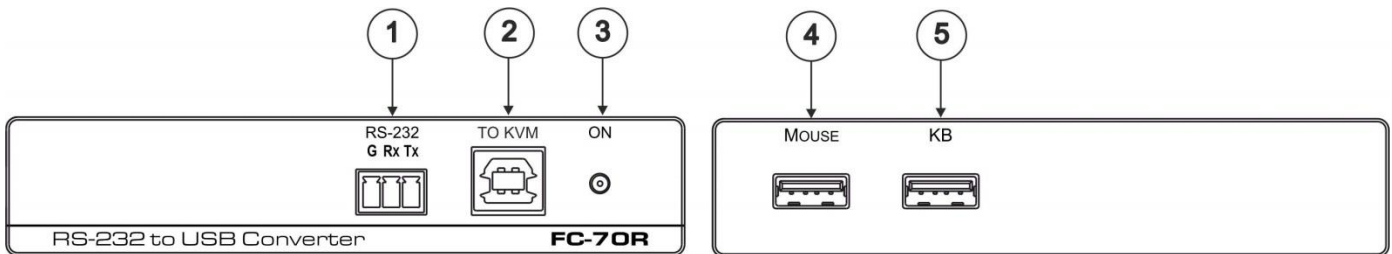
This guide helps you install and use your **FC-70R** for the first time.

Go to [www.kramerav.com/downloads/FC-70R](http://www.kramerav.com/downloads/FC-70R) to download the latest user manual and check if firmware upgrades are available.

### Step 1: Check what's in the box

- ✓ **FC-70R** RS-232 to USB Converter
- ✓ 4 Rubber feet
- ✓ 1 Quick start guide
- ✓ 1 Bracket set

### Step 2: Get to know your FC-70R

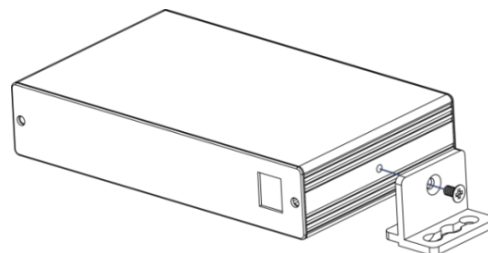
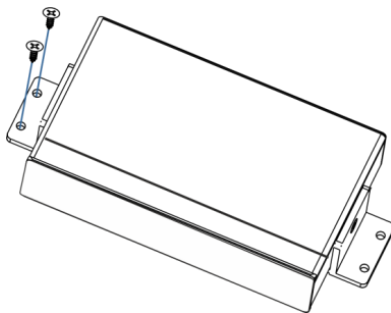


#	Feature	Function
1	RS-232 Terminal Block	Connects to a control device
2	USB-B Connector	Connects to and receives power from a KVM or KVM combiner being controlled
3	ON LED	Lights when the device is powered on
4	MOUSE USB-A Connector	Connects to a USB mouse
5	KB USB-A Connector	Connects to a USB keyboard

### Step 3: Install the FC-70R

Attach the rubber feet and place on a table or mount the **FC-70R** in a rack (using an optional **RK-3T** rack mount).

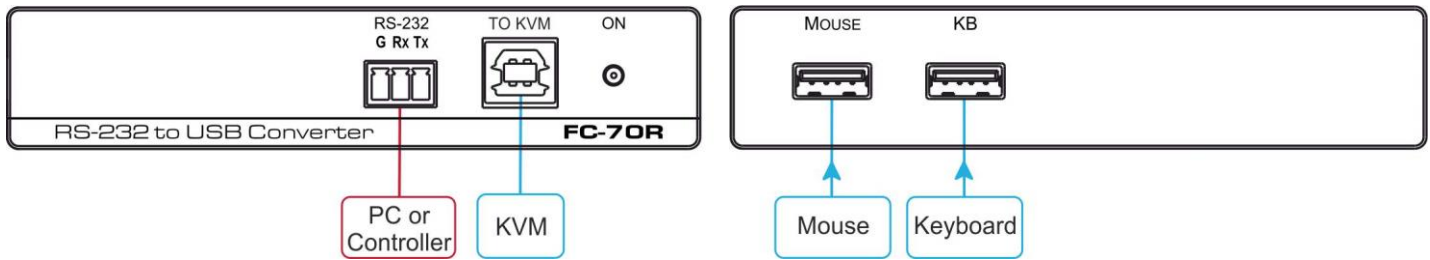
A Kramer TOOLS™ can also be mounted on a desk top, wall or similar area. Fasten a bracket on each side of the TOOLS using the two M3x8 screws (supplied). Use the flat-head screws (supplied) to fix the TOOLS to the mounting surface or enable it to slide in place.



## Step 4: Connect the inputs and outputs

Always switch OFF the power on each device before connecting it to your **FC-70R**. For best results, we recommend that you always use Kramer high-performance cables to connect AV equipment to the **FC-70R**.

**FC-70R** receives power over the KVM USB connection.



## Step 5: RS-232 connection parameters

- Speed – 115200bps
- Data bits – 8
- Stop bits – 1
- Parity - None
- Flow Control – None

## Step 6: Technical specifications

PORTS:	1 RS-232 on a 3-pin terminal block, 1 KVM on a USB type-B connector, 2 USB type-A connectors for mouse and keyboard
OPERATING TEMPERATURE:	0° to +40°C (32° to 104°F)
STORAGE TEMPERATURE:	-40° to +70°C (-40° to 158°F)
HUMIDITY:	10% to 90%, RHL non-condensing
POWER CONSUMPTION:	12V DC, 110mA max.
DIMENSIONS:	12cm x 7.15cm x 2.44cm (4.7" x 2.8" x 1.0") W, D, H
WEIGHT:	0.14kg (0.3lbs) approx.
SHIPPING DIMENSIONS:	15.7cm x 12cm x 8.7cm (6.2" x 4.7" x 3.4") W, D, H.
SHIPPING WEIGHT:	0.55kg (1.21lbs) approx.
INCLUDED ACCESSORIES:	Bracket set
OPTIONS:	RK-3T rack adapter