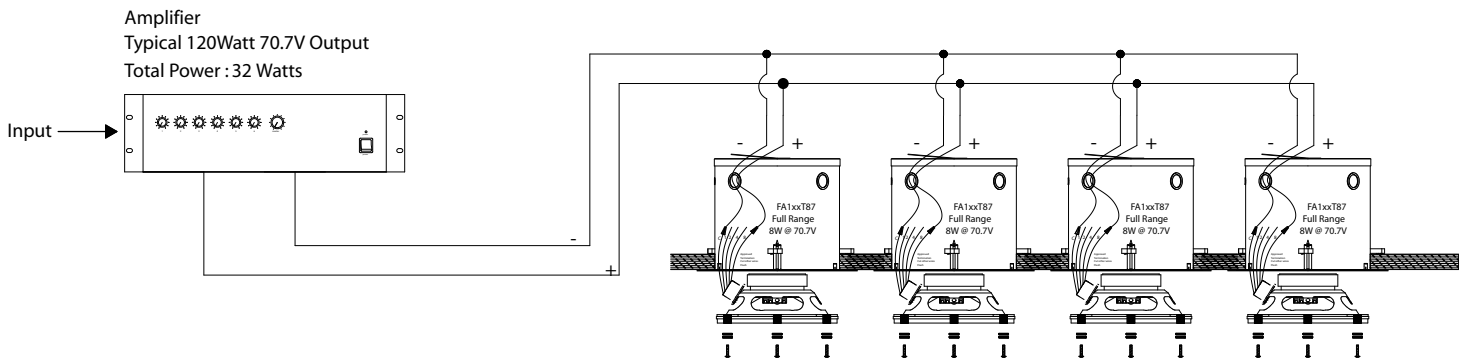


- FA Series Loudspeakers are typically "front mounted" to FA Series enclosures. To avoid damage to the rubber surround on the speaker cone, the provided nylon washer must be placed on the mounting screws.
- **Two (2) washers per screw are required.**
- The drawing above shows the proper assembly of the screws and nylon washers.

Typical Parallel Hookup of Full Range 70.7/100V Speakers



Installation must comply with all Building Codes and NFPA guidelines. Installation must adhere to N.E.C. and NFPA 70/72 wiring directives and comply with all National and Local Building Codes.

Specifications are subject to change without notice



www.AtlasSound.com

1601 JACK MCKAY BOULEVARD ENNIS, TEXAS U.S.A. • TELEPHONE: (800) 876-3332 • FAX: (800) 765-3435

©2004 ATLAS SOUND LP

Printed in U.S.A.

00904

ATS000743 RevC 9/04

PN 371041