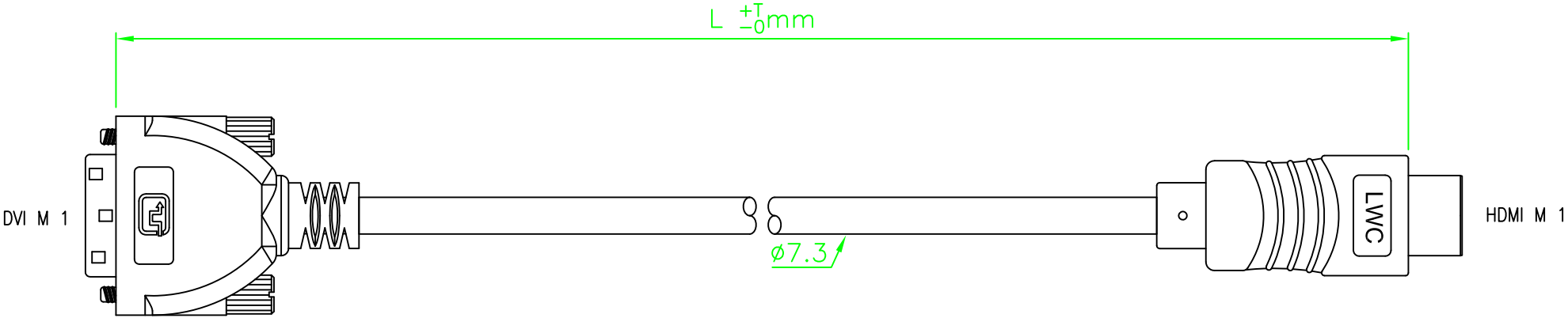


REV	DESCRIPTION	DATE
0	ISSUE	12/18/05
1	REV P/N FORMAT	02/16/12



Product Notes:

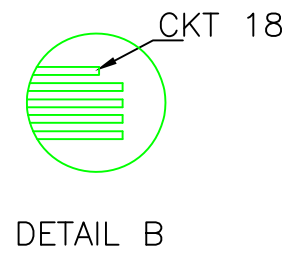
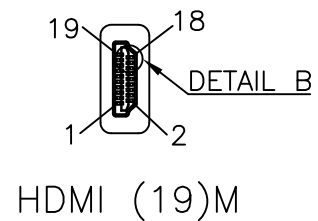
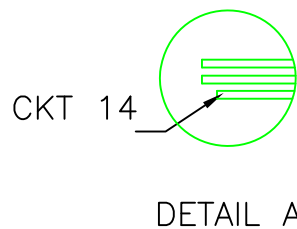
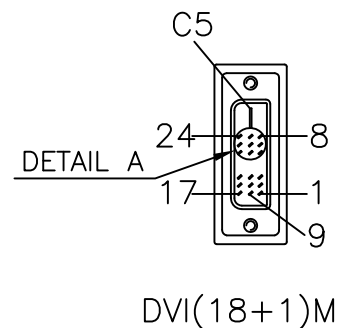
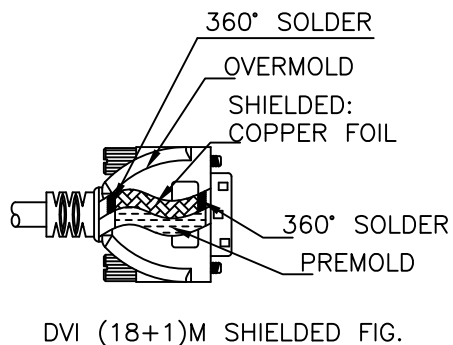
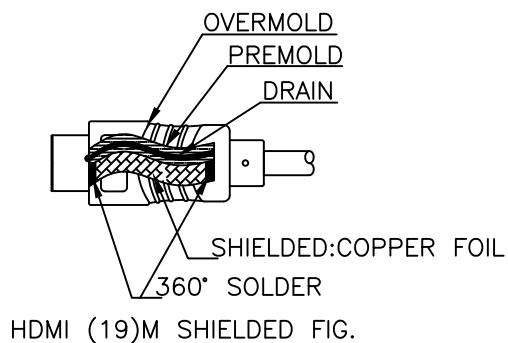
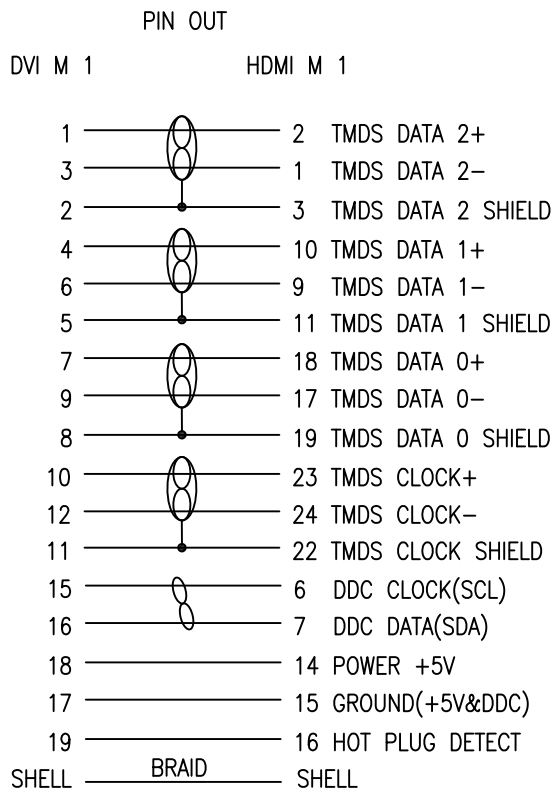
1. Base Cable UL Listed NEC Type CL2, CEC CMG FT4
2. 28 AWG TMDS Pairs for lengths 1-10 meters
3. DVI-D Single Link DVI 1.0 Compliant
4. Tested to 4.95 Gbps / 1920x1200@60Hz / 165MHz per TMDS
5. EU 2002/95/EC RoHS Compliant

E-HD-DVI-10	10000	75
E-HD-DVI-8	8000	75
E-HD-DVI-6	6000	50
E-HD-DVI-5	5000	50
E-HD-DVI-4	4000	30
E-HD-DVI-3	3000	30
E-HD-DVI-2	2000	30
E-HD-DVI-1	1000	20
P/N.	L(mm)	T(mm)

LIBERTY AV SOLUTIONS
 11675 RIDGELINE DRIVE
 COLORADO SPRINGS, CO 80921

WWW.LIBAV.COM
 (800) 530-8998

UNIT:mm	TITLE:
None	Assembly Specification CBL, ASY, DVI, PVC
UNLESS OTHERWISE SPECIFIED TOLERANCES: x ±.015 xx ±.010 xxx ±.005 ANGLE ± 1°	PART NUMBER: E-HD-DVI-XX
SHEET 1/2	DWG. #: LWC-ASY-00065
	DR. RP CH. RP AP. RP



REV	DESCRIPTION	DATE
0	ISSUE	12/18/05
1	REV P/N FORMAT	02/16/12

LIBERTY AV SOLUTIONS
 11675 RIDGELINE DRIVE
 COLORADO SPRINGS, CO 80921

WWW.LIBAV.COM
 (800) 530-8998

UNIT:mm	TITLE: Assembly Specification CBL, ASY, DVI, PVC	
SCALE	None	
UNLESS OTHERWISE SPECIFIED TOLERANCES: x ±.015 xx ±.010 xxx ±.005 ANGLE ± 1°	PART NUMBER:	DR. RP
	E-HD-DVI-XX	CH. RP
SHEET 2/2	DWG. #: LWC-ASY-00065	AP. RP