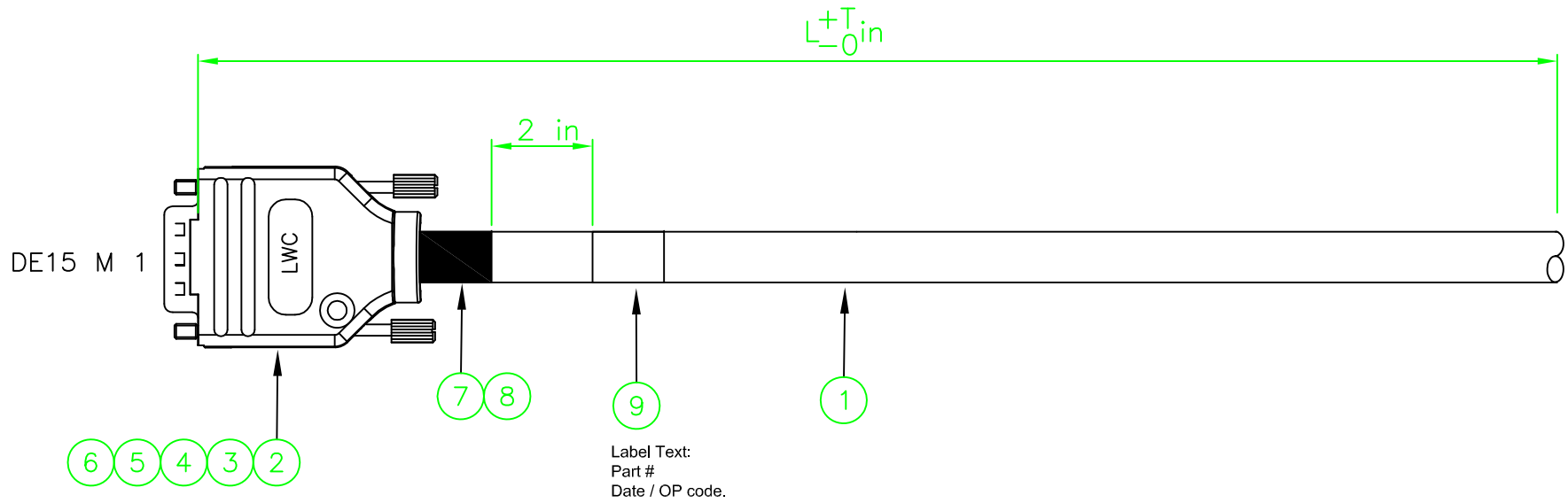


REV	DESCRIPTION	DATE
0	ISSUE	02/26/06



Standard Lengths Shown,
Custom lengths upon request

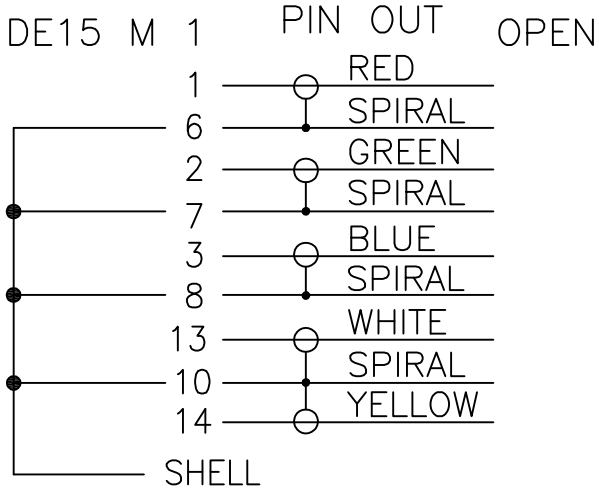
D-VGAM-T-100	1200	6
D-VGAM-T-75	900	6
D-VGAM-T-50	600	6
D-VGAM-T-35	420	4
D-VGAM-T-25	300	3
P/N.	L(in)	T(in)

LIBERTY AV SOLUTIONS
11675 RIDGELINE DRIVE
COLORADO SPRINGS, CO 80921

WWW.LIBAV.COM
(800) 530-8998

	UNIT:mm	TITLE: Assembly Specification CBL, ASY, VGA, PLN	
SCALE	None	PART NUMBER: D-VGAM-T-XXX	DR. RP
UNLESS OTHERWISE SPECIFIED TOLERANCES: x ±.015 xx ±.010 xxx ±.005 ANGLE ± 1°		CH. RP	
SHEET 1/2	DWG. #: LWC-ASY-00362	AP. RP	

REV	DESCRIPTION	DATE
0	ISSUE	02/26/06



Manufacturing Bill of Materials

9	LAT-19-361-1	1	EA	Label, Self-Laminating
8	EPS-200-1/2BLK	2	IN	Heat Shrink, 1/2" 2:1 ADH BLK
7	FP-301-3/8BLK	2	IN	Heat Shrink, 3/8" 2:1 BLK
6	FP-301-1/16BLK	2.75	IN	Heat Shrink, 1/16" 2:1 BLK
5	130-142	3.3	EA	Copper RF Tape
4	JUMPER WIRE	1	EA	24 AWG Copper wire 1"
3	MHDTZK9K	1	EA	DE09 Hood, Metal
2	PPEDHS-15P	1	EA	DE15 Plug, Nickel
1	RGB5C-PLN	***	IN	BULK Cable, ProjectorNet CMP
Item	P/N	QTY	UOM	DESCRIPTION

LIBERTY AV SOLUTIONS WWW.LIBAV.COM
 11675 RIDGELINE DRIVE (800) 530-8998
 COLORADO SPRINGS, CO 80921

UNIT:mm	TITLE:
SCALE	None
Assembly Specification CBL, ASY, VGA, PLN	
UNLESS OTHERWISE SPECIFIED TOLERANCES: x ±.015 xx ±.010 xxx ±.005 ANGLE ± 1°	PART NUMBER: D-VGAM-T-XXX
SHEET 2/2	DWG. #: LWC-ASY-00362

DR.	RP
CH.	RP
AP.	RP