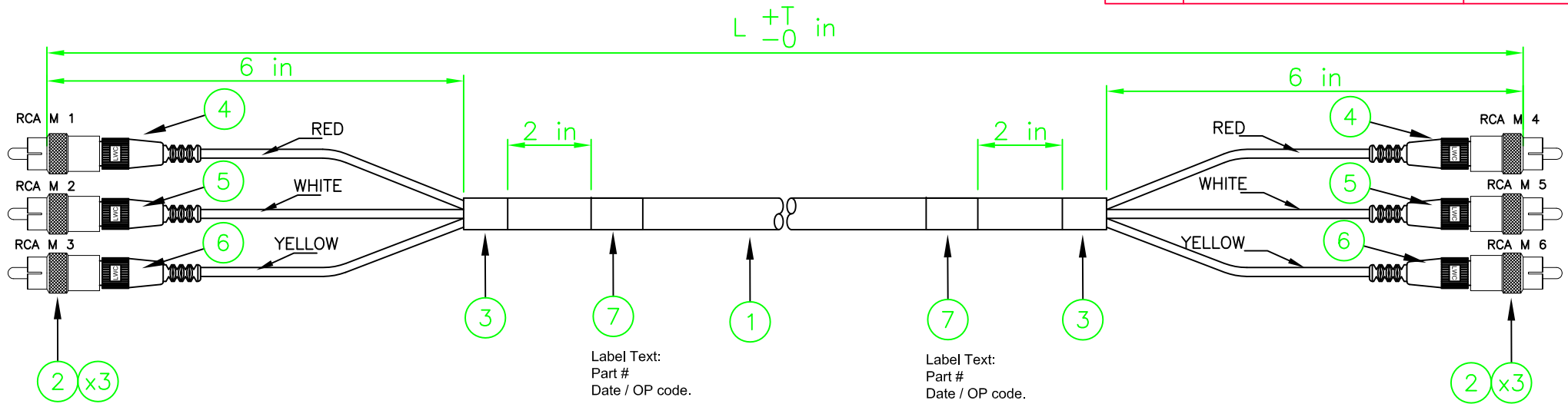


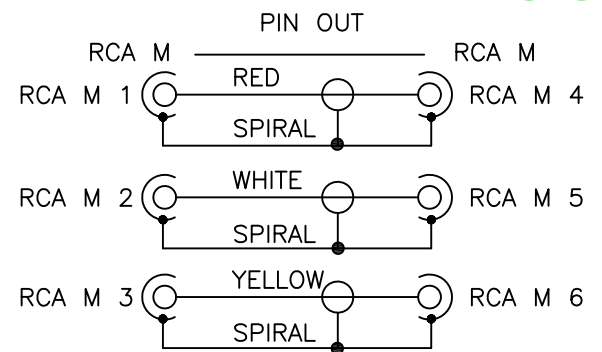
REV	DESCRIPTION	DATE
0	ISSUE	03/10/06
1	Rev RCA / Boot	01/27/12



Standard Lengths shown,  
other lengths available

D-AV3RCAM-M-100	1200	6
D-AV3RCAM-M-75	900	6
D-AV3RCAM-M-50	600	6
D-AV3RCAM-M-35	420	4
D-AV3RCAM-M-25	300	3
P/N.	L(in)	T(in)

Note:  
Blue & Green are cut off  
under the jacket



Manufacturing Bill of Materials

7	LAT-19-361-1	2	EA	Label, Self Laminating
6	BMHR-YEL	2	EA	MHR Silicone Boot, Yellow
5	BMHR-WHT	2	EA	MHR Silicone Boot, White
4	BMHR-RED	2	EA	MHR Silicone Boot, Red
3	FP-301-3/8BLK	3	IN	SHRINK TUBING, 3/8" 2:1 BLACK
2	MHR-RCA	6	EA	RCA Plug, MHR Crimp Gold/NKL
1	RGB5C-PLN	***	IN	BULK CABLE, MHR 5-Wire CMP
Item	P/N	QTY	UOM	DESCRIPTION

LIBERTY AV SOLUTIONS  
11675 RIDGELINE DRIVE  
COLORADO SPRINGS, CO 80921

WWW.LIBAV.COM  
(800) 530-8998

UNIT:mm	TITLE:	DR.	RP
SCALE	None	CH.	RP
UNLESS OTHERWISE SPECIFIED TOLERANCES: x ±.015 xx ±.010 xxx ±.005 ANGLE ± 1°		AP.	RP
SHEET	PART NUMBER:	DWG. #:	
1/1	D-AV3RCAM-M-XXX	LWC-ASY-00344	