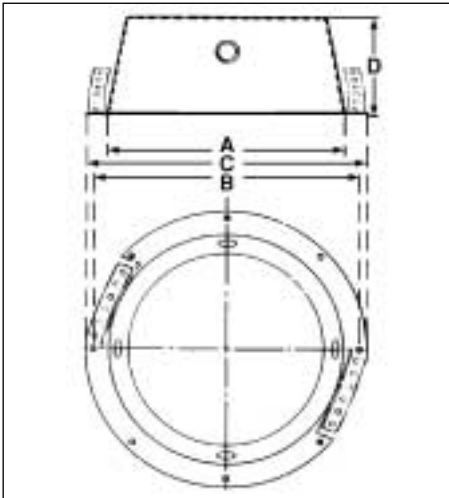




ROUND RECESSED STACKABLE ENCLOSURES FOR 8" LOUDSPEAKERS

CS95-8



DESCRIPTION

Ideal for contractors with limited storage facilities, this conically shaped enclosure nests to achieve reduced inventory space requirements and transportation costs. Furnished with four combination conduit knockouts $\frac{1}{2}$ " - $\frac{3}{4}$ " (13-19mm), four J-clips and two flexible perforated mounting straps. One-piece CRS construction, undercoated, patch-jute lined, and finished in epoxy.

The CS95-8 enclosure is a perfect for use with the new Atlas Sound SD72W, SD72WV or the new high performance 8" 8-watt coaxial model GD87W loudspeaker/transformer/baffle packages. Note: Enclosure is not designed to mount other loudspeaker packages with pre-mounted high performance transformers (HT-87, HT-167, HT-327).

ARCHITECT AND ENGINEER SPECIFICATIONS

The metal protective enclosure shall be Atlas Sound Model (CS95-8) or approved equal. The enclosure shall have four 8-32 J-Clips installed in the mounting flange.

The enclosures shall have 4 combination knockouts $\frac{1}{2}$ " - $\frac{3}{4}$ " (13-19mm) spaced 90 degrees apart and shall be of one piece construction.

Interior of enclosure shall be undercoated to prevent mechanical and acoustical resonances. Enclosure shall be finished in textured epoxy.

The enclosure shall mount Atlas Sound Model _____ baffle or approved equal.

OTHER SUGGESTED MOUNTING ACCESSORIES:

Model 81-8R Tile Bridge: For suspended 2'x2' or 2'x4' ceiling applications. See SL3-1431.

Model P78-8 Mounting Ring: To mark the enclosure location in new construction drywall (hard-deck) applications (16" stud spacing only). See SL3-1454.

Model P77-8 Mounting Ring: For retrofit applications in drywall (hard-deck) surfaces. See SL3-1454

MODEL	DIMENSIONS				MOUNTS TO BAFFLE MODELS
	A	B	C	D	
CS95-8	9 $\frac{3}{4}$ " (249mm)	11 $\frac{1}{4}$ " (286mm)	11 $\frac{3}{4}$ " (298mm)	4 $\frac{1}{4}$ " (108mm)	51-8, 60-8(W), 61-8W, 62-8, 63-8, 67-8(W), G22-8, M222(W), P900, VP60-R

NOTE: The CS95-8 Series enclosure will mount speakers with most Atlas Sound premounted line transformers. The HT-87, HT82, HT-167, and HT-327 transformer however, will not fit the enclosure when premounted to the speaker. Please consult appropriate speaker/transformer specification sheet for dimensions.

Specifications subject to change without notice



1601 JACK MCKAY BLVD. / ENNIS, TEXAS 75119 U.S.A.
TELEPHONE: (800) 876-3333 / FAX (800) 765-3435

AtlasSound.com