



C5A Series

8" Dual Cone Loudspeaker Available With Transformer



C5A

Specifications

Size	8" (203mm)
Power Handling	15 Watts program, 10 Watts RMS
Sensitivity (1W/1M)	96dB Peak, 93dB Average
Impedance	Nominal, 8Ω
Frequency Response	50Hz – 18kHz (Nominal), 80Hz – 9kHz (+5dB)
Dispersion	105° (2kHz Octave Band, -6dB Points)
Diameter	8.125" (205mm)
Depth	2.625" (67mm)
Mounting Dimensions	7.625" (194mm) Bolt Circle
Cone Material	Treated Paper
Surround Material & Damping	Self Edge
Flux Density	9,200 Gauss, .92 Tesla
Magnet Weight - Nominal	5oz., (132g)
Basket Material	Stamped Plated 20-gauge CRS
VC Diameter	1" (25mm)
VC Material	Copper
VC Former Material	Black Anodized Aluminum
VC Winding Width	.190"
Top Plate Thickness	.180"
Weight	22oz. (607g)

Thiele-Small Parameters

Pe	10 Watts
Fs	128Hz
Xmax	.05"
Resistance	6.1Ω
Qts	1.15
Qes	1.57
Qms	4.2
BL	5.6 N/A
Efficiency	1.3%
Vas	.35 (ft³)
Sd	33.2 (in²)
Le@1kHz	.26 mH
MMs	.36oz.
Cms	.027 in./lb.

Features

- Industry Standard Value Loudspeaker with Proven Performance
- Available with Factory-Installed Line-Matching Transformer
- Ideal for Multi-Purpose Commercial, Industrial and Institutional Use
- Mounts a Wide Selection of Atlas Sound Baffles

Applications

Utilize Atlas Sound's dual-cone loudspeaker for voice transmission, music and signal reproduction in commercial, industrial, and institutional applications. Model C5A is an economical, multi-purpose loudspeaker with choice of eight factory-installed line matching transformers to meet a variety of value-conscious project requirements.

General Description

Model C5A is a reliable, economically priced 15 watt loudspeaker that offers many features found in speakers costing considerably more. It includes a curvilinear, treated-paper cone for lower harmonic distortion. It is also equipped with a full 1" diameter copper voice coil with a black-anodized aluminum former for better power dissipation.

Model C5A operates within a frequency response range of 50Hz – 18kHz with a sensitivity of 96dB and a dispersion angle of 105°.

It mounts a wide variety of Atlas Sound round and square baffles and enclosures to meet functional and aesthetic application requirements.

©2011 Atlas Sound L.P. All rights reserved. Atlas Sound and Strategy Series are trademarks of Atlas Sound L.P. All other trademarks are the property of their respective owners. AT5002419 RevB 6/11

©2011 Atlas Sound L.P. All rights reserved. Atlas Sound and Strategy Series are trademarks of Atlas Sound L.P. All other trademarks are the property of their respective owners. ATS002419 RevB 6/11

Transformer Specifications

C5AT25

Includes Transformer	LT-25
Primary Voltage	25V
Transformer Frequency Response	100Hz – 10kHz, (±1.5dB)
Primary Taps	.5, 1, 2, & 5 Watts
Secondary Impedance	8Ω
Insertion Loss	1.5dB
Core Size	½" x ¾" (13 x 16mm)
Power Rating	5 Watts

C5AT70

Includes Transformer	LT-70
Primary Voltage	70.7V
Transformer Frequency Response	100Hz – 10kHz, (±1.5dB)
Primary Taps	.5, 1, 2, & 5 Watts
Secondary Impedance	8Ω
Insertion Loss	1.5dB
Core Size	½" x ¾" (13 x 16mm)
Power Rating	5 Watts

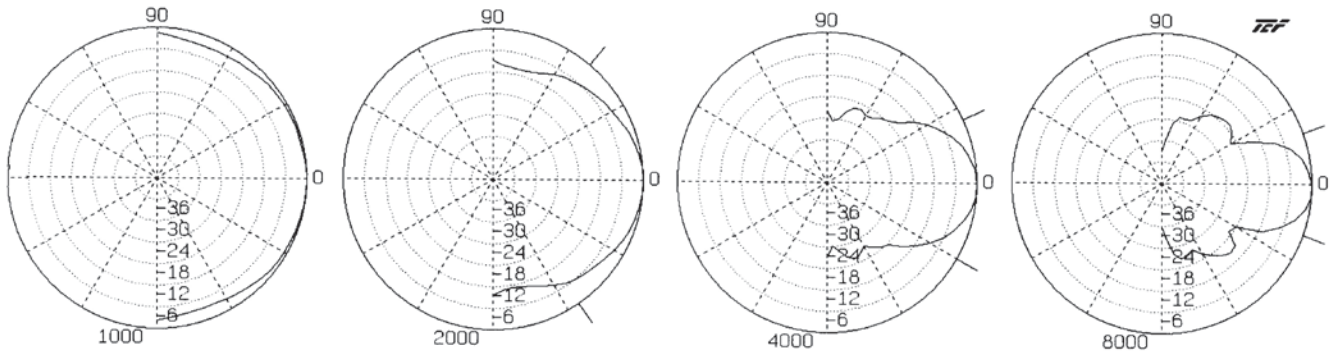
C5AT72

Includes Transformer	LT-72
Primary Voltage	25V/70.7V
Transformer Frequency Response	100Hz – 10kHz, (±1.5dB)
Primary Taps	.5, 1, 2, & 4 Watts
Secondary Impedance	8Ω
Insertion Loss	1.5dB
Core Size	½" x ¾" (13 x 16mm)
Power Rating	4 Watts

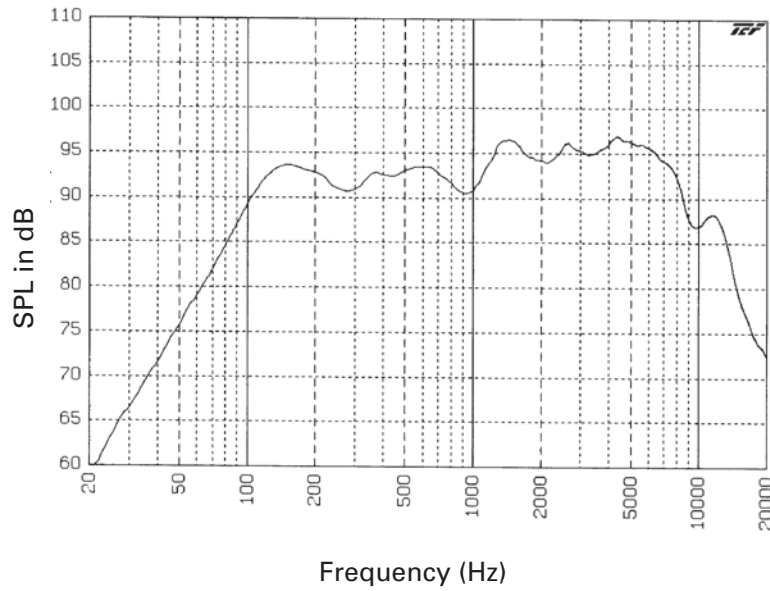
Architect and Engineer Specifications

Unit shall be Atlas Sound 8" loudspeaker Model _____ or loudspeaker /transformer combination Model _____ (utilizing line-matching transformer Model _____). It shall have a (5oz.) ceramic magnet and a seamless cone. Frequency response range shall be _____. Sensitivity shall be _____. Voice coil shall be black anodized to help dissipate heat, have an impedance of 8Ω and a diameter of 1" (25mm). Transformer primary voltage shall be ____ with a frequency response range of _____. Insertion loss shall not exceed _____.

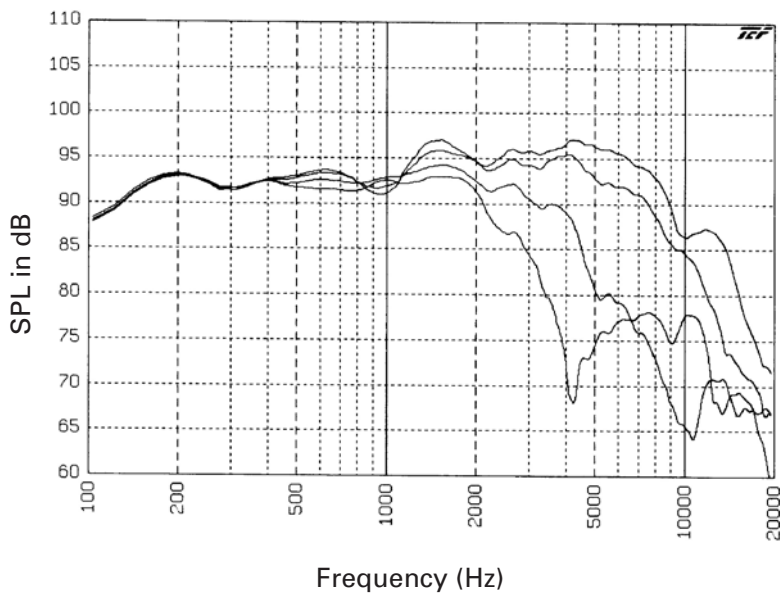
C5A Polars (Normalized to Zero on Axis) (-6dB)



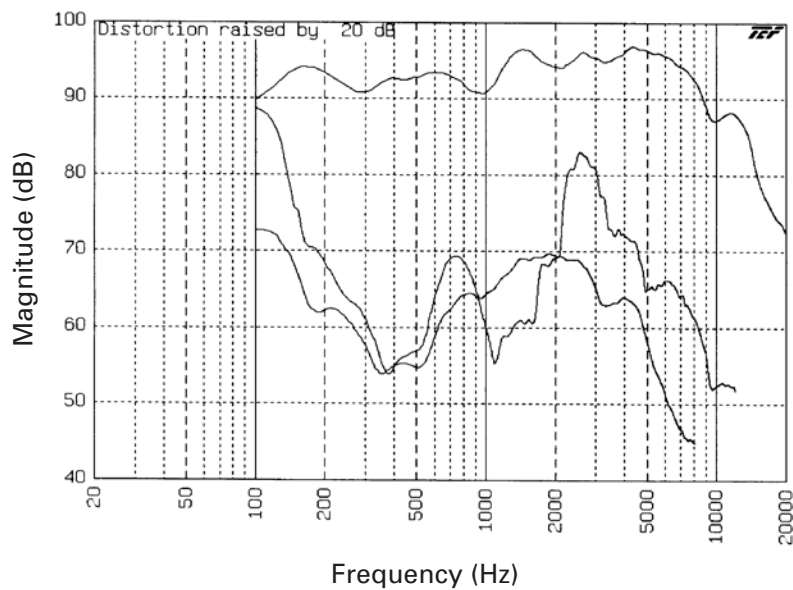
C5A Frequency Response



C5A Frequency Response Overlay



C5A Harmonic Distortion



C5A Impedance

