



FEATURES

- High-Efficiency, 15-Watt Compression Driver with Proven Record of Outstanding Service Reliability
- Double Re-Entrant Design Provides Superior Audibility of Voice and Tone Signaling
- Vandal and Environment-Resistant Metal Construction for Outdoor or Indoor Use
- Transformer (T) Equipped Version for 25, 70.7, or 100V Line
- May be Flange or Recess Mounted
- Choose from Matching Grilles, Enclosures and Mtg. Rings (Available separately)

TECHNICAL SPECIFICATIONS

Power Rating: 15 Watts (continuous)
20 Watts (equalized)

Frequency Response: 475-14,000 Hz

Sensitivity: 121dB @ 15 Watts (4' on axis, 15Watts input)

Dispersion Angle: 180°

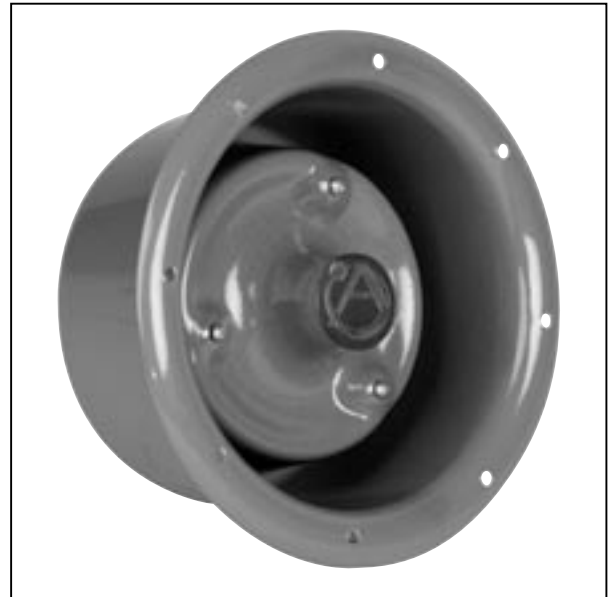
Sensitivity as Microphone: -21dBm (re: 10dynes/cm²)

Impedance (Ohms): 5000/2500/1300/666/333/89/45

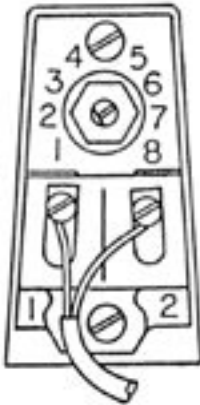
Power Taps: 70 V. - .9/1.8/3.8/7.5/15
25 V. - .48/.94/1.8/7.5/15

Dimensions: 5 5/8" Dia. x 5 5/8" D x 5 5/8" Deep
(14.3cm Dia. x 13.2cm)
FLANGE Dia. 7" (17.8cm)

Shipping Weight: 3 1/2 lbs. (1.7kg)



WIRING

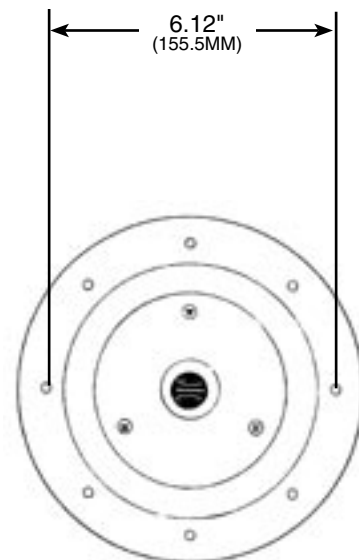


NOTE:
Terminal #2 is the positive terminal.

POWER TAP SELECTOR SWITCH

Switch Position	Impedance Ω	Watts @ 100V	Watts @ 70.7V	Watts @ 25V
1	5000	2.0	1.0	.125
2	2500	4.0	2.0	.25
3	1300	7.7	3.8	.48
4	666	15.0	7.5	.94
5	333	DO NOT USE	15.0	1.8
6	89	ON 100V Line	DO NOT USE	7.5
7	45	-	ON 70.7V Line	15.0

MOUNTING DIMENSIONS



Specifications are subject to change without notice



AtlasSound.com