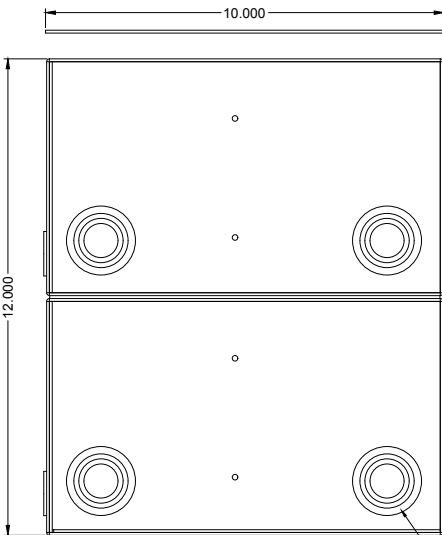
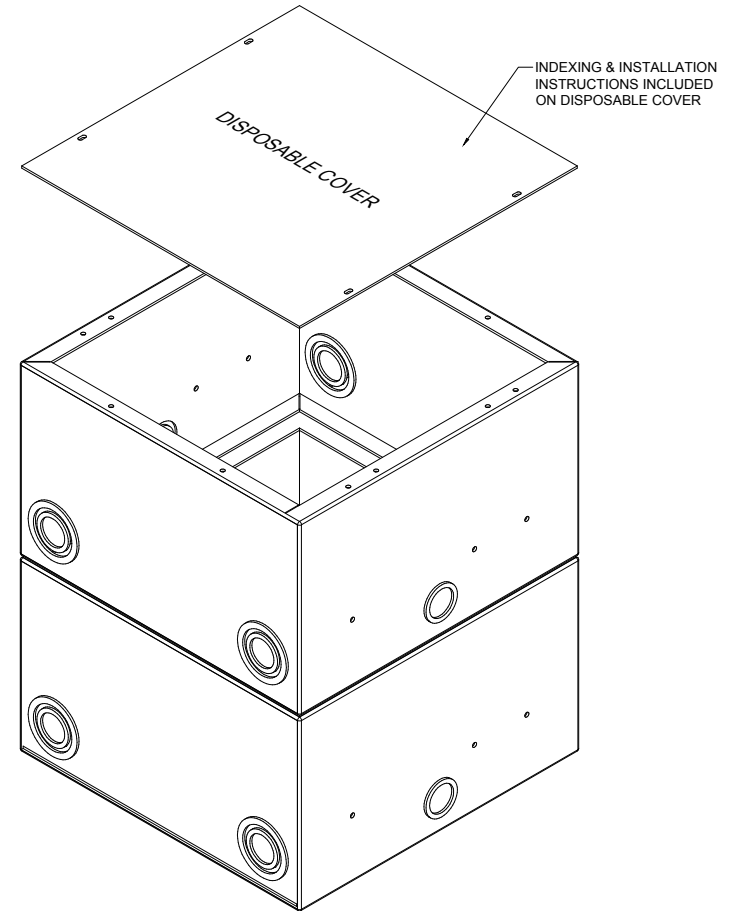
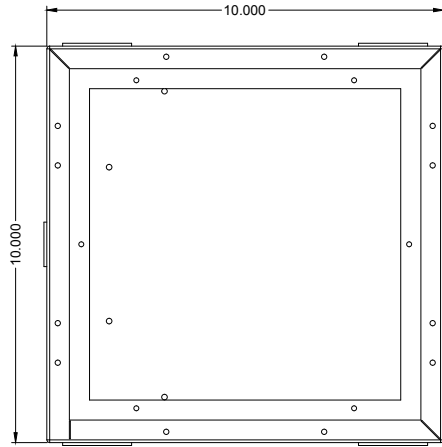


**FULL SIZE 12" DEEP
BACK BOX**

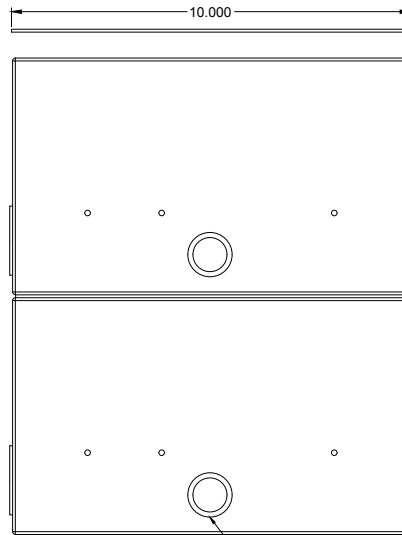
102DDBBXW

MATES WITH
VERTICAL SLANT
STYLE POCKET

PROUDLY MADE
IN THE U.S.A.



1/2", 3/4", 1", AND 1-1/4" COMBINATION
KNOCKOUTS (4) PLACES TYPICAL ON
OPPOSING SIDES



1/2" AND 3/4" COMBINATION
KNOCKOUTS (2) PLACES TYPICAL ON
OPPOSING SIDES

REVISION: 11/2019

FINISH :

- ASTM Certified Electro Deposited Clear Zinc
- 1/16" Thick Polyurethane Jacket for
moisture seal

COMPATIBLE POCKETS:

Any Full Size Stage Pocket: 122/222/322

DESCRIPTION:

Polyurethane encapsulated Rough In Box for use with Full Size Stage Pockets. Provides extra protection from incursion of moisture and water by sealing seams, knock-outs, and holes. Provides 7.5" of junction clearance underneath the installed Pocket. Made from 14ga CRS.

REV
1
SHEET
1 OF 1