

**FULL SIZE 8" DEEP
BACK BOX**

1028BBX



MATES WITH
VERTICAL SLANT
STYLE POCKET



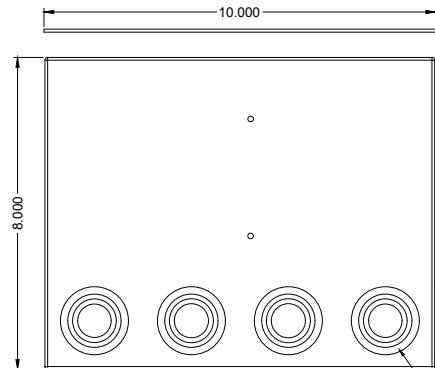
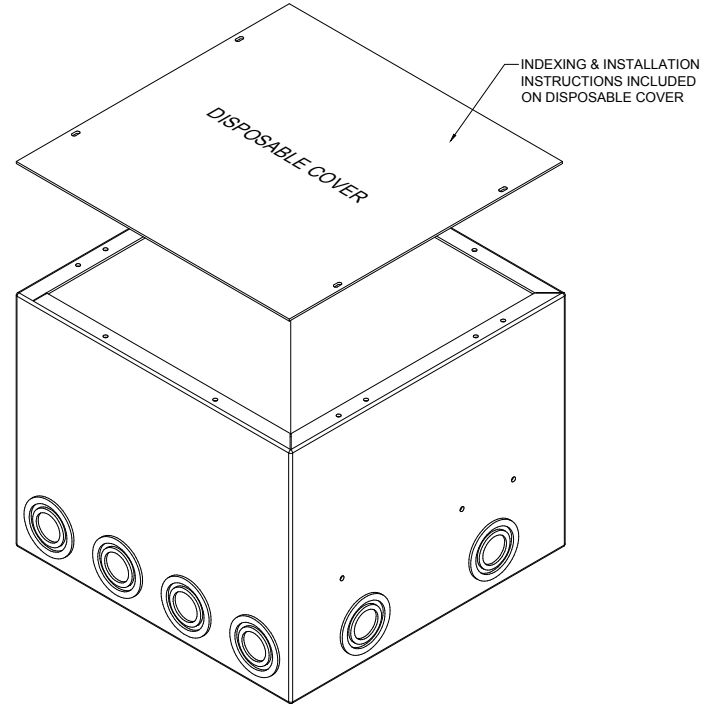
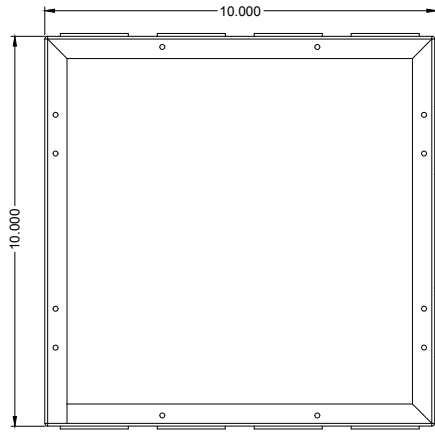
As part of the Full Stage Pocket System



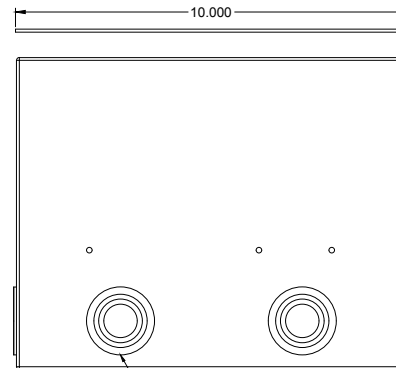
PROUDLY MADE
IN THE U.S.A.



ACE BACKSTAGE CO
Stage Pocket Systems **Connectivity**
www.acebackstage.com



1/2", 3/4", 1", AND 1-1/4" COMBINATION
KNOCKOUTS (4) PLACES TYPICAL ON
OPPOSING SIDES



1/2", 3/4", 1", AND 1-1/4" COMBINATION
KNOCKOUTS (2) PLACES TYPICAL ON
ONE SIDE ONLY

REVISION: 11/2019	FINISH : - Electro Deposited Clear Zinc ASTM Certified	COMPATIBLE POCKETS: Any Full Size Stage Pocket: 122/222/322	DESCRIPTION: Rough In Box for use with Full Size Stage Pockets. Provides 3.5" of junction clearance underneath the installed Pocket. Made from 14ga CRS.	REV 1 SHEET 1 OF 1
-------------------	--	--	---	------------------------------------